

PergoTex Type A

Folding patio roof with electric motor

ENGLISH



Important guidelines for the end user.

Please read these instructions and observe their contents and warnings before using the equipment for the first time.



115024

Contents

1	Notes on Maintenance Instructions and Directions for Use	3
1.1	Depiction	3
1.1.1	Warnings	3
1.1.2	Tips and recommendations	3
1.1.3	Illustrations	3
1.1.4	Instructions requiring action	3
2	Product description	4
2.1	Exploded drawing	4
2.2	Description of construction and function	5
3	General safety notes	6
3.1	Use	6
3.2	Use in winds	7
3.3	Explanation of wind resistance classes	7
3.4	Use in rain	8
3.5	Automatic controls	8
3.6	General notes on the fabric	8
4	Specific safety notes	9
4.1	Checking and monitoring the PergoTex	9
4.2	Operation	9
4.3	Disassembly and Disposal	9
5	Maintenance and care instructions	10
5.1	Cleaning and maintenance work in the opening space of the PergoTex	10
5.2	Maintenance	10
5.3	Foliage and foreign bodies	10
5.4	PergoTex care	11
5.5	Cleaning the powder-coated aluminium parts	11
5.5.1	In saltwater areas	11
5.5.2	In non-saltwater areas	11
5.6	Cleaning PVC fabrics	11
6	Rectifying Faults	13
6.1	Troubleshooting	13
7	Retrofits	13
8	Noise Level	13
9	Other weinor products	14

1 Notes on Maintenance Instructions and Directions for Use

You have chosen a high-quality weinor product. Many years of experience and the use of low-wear, corrosion-resistant metals and high-strength plastics vouch for the product. Care and quality are fundamental principles that weinor applies in making its products and which have made them so popular.



To ensure you enjoy our product for many years to come, please observe the following guidelines and instructions.

weinor, quality from the very beginning!


1.1 Depiction

1.1.1 Warnings

The warnings differentiate between personal injury and damage to property. The signal word "Danger" is used for personal injury, and "Caution" for property damage.

 DANGER	Immediate danger to life and limb!
 IMPORTANT	Immediate danger to product and environment!

1.1.2 Tips and recommendations

	Highlights tips and information that make for correct use of the product.
---	---

1.1.3 Illustrations

Notes on item numbers can be found in the text in parentheses, e.g. (1).

1.1.4 Instructions requiring action

Instructions requiring action are written in bold print. If the instruction requiring action consists of several individual steps, these have been numbered in the order in which they are to be carried out, e.g. :

1.	Mount wall brackets
	1. Determine position
	2. Prepare and drill holes

2 Product description

2.1 Exploded drawing

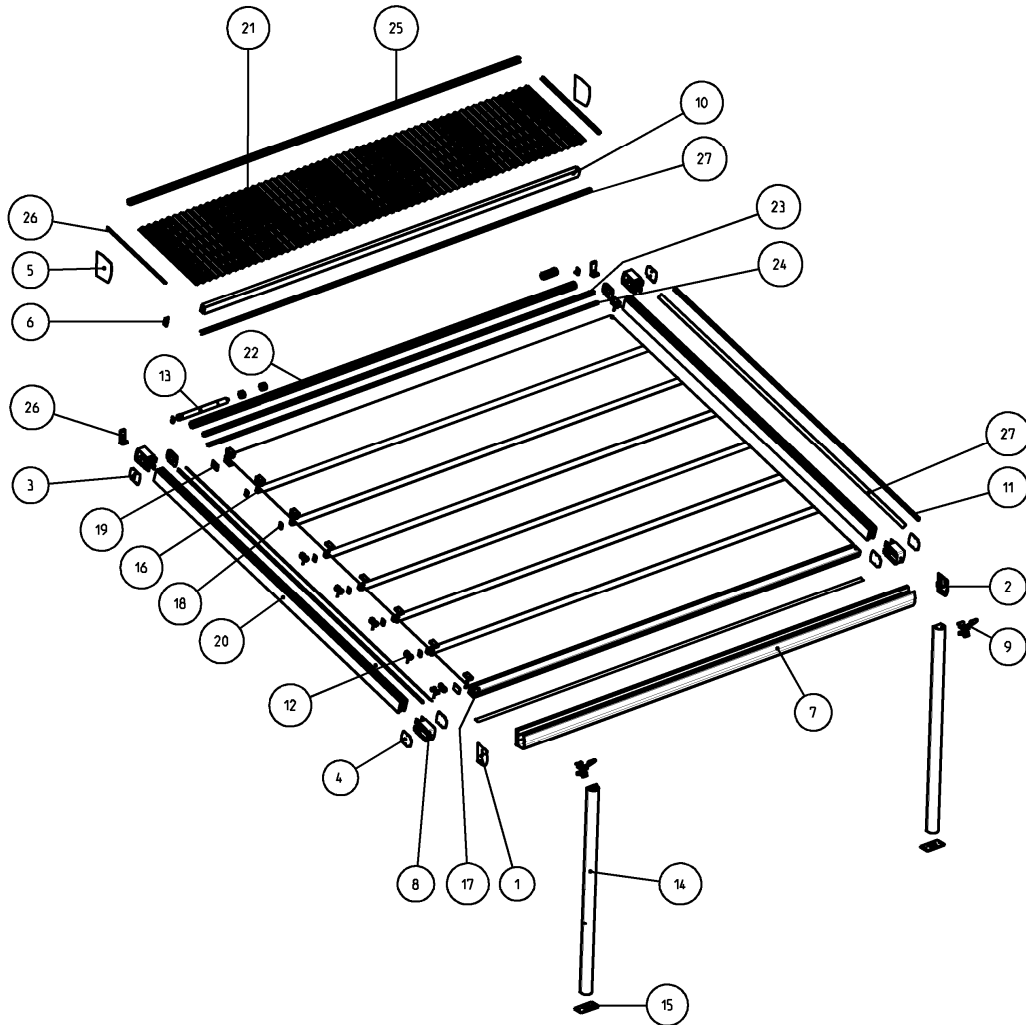


Figure 1: Exploded drawing PergoTex

1	Gutter cap left	16	Transom 36x60
2	Gutter cap right	17	Transom 80x60
3	End cap for cover	18	Transom cap 36x60
4	End cap for cover	19	Transom cap 80x60
5	Wall connection capping	20	Side channel
6	Angle bracket locking bar	21	Trapezium-shaped sheeting
7	Guttering	22	Fabric roller
8	end cap	23	Fabric attachment profile outside
9	Bracket for PergoTex Type A	24	Fabric attachment profile inside
10	Frame profile 80x50x2	25	U profile 40x40x40x2
11	Beaded profile	26	Wall bracket
12	Carriage	27	Wind protection seal strip
13	Motor	28	Angle bracket, 25x30x2
14	Post	29	Angle bracket, 25x25x2
15	Post plate		

2.2 Description of construction and function

The PergoTex is a sun and rain protection unit with a fabric that opens to protect against the sun and rain.

The PergoTex can be fitted to any angle of pitch ranging between 8° and 45° depending on the projection and installation height of the awning.

When the awning is closed, the protective roof extensively protects the fabric against weathering.

Only high-quality corrosion resistant materials are used in the PergoTex. The profiles are made of extruded aluminium, while the support brackets and other cast parts are made of aluminium. All connecting parts, such as screws, are made of stainless steel.

3 General safety notes

IMPORTANT

Product and property damage

Risk of damage to the product and property due to improper use of the PergoTex.

- ▶ **Please read and observe the general safety notes contained in this section.**

3.1 Use

- Your weinor PergoTex has been made with great care; however, your PergoTex is and always will be a sun and rain protection unit and must therefore be retracted immediately during storms, snowfalls or strong winds (at and above wind strength 8). The leafs on the glazing elements must be fully opened.
- If the PergoTex is retracted when wet, it should be opened once it has stopped raining to allow the fabric to dry.
- The motor that is supplied as standard with the PergoTex has been designed to run for a maximum of four minutes at a time. If the running time is exceeded – e.g. by frequently opening and retracting the awning – the internal thermo protector may automatically switch off the motor. In this case, please wait until the motor has cooled down (approx. 15 – 20 minutes depending on the outside temperature) and is ready for operation again.
- If your PergoTex is fitted with a sun, wind or rain sensor, the controls will switch to automatic control after a loss of power depending on the type of controls. Awning systems that had previously been set to manual operation may therefore run automatically after a loss of power.
- If there is a risk of frost, the awning system must be switched from automatic to manual control to prevent it from opening automatically. The system must not be used in frosty conditions or if there is a risk of frost.
- The PergoTex can be opened to any position up to its maximum length.

3.2 Use in winds

The PergoTex complies with the requirements of the wind resistance class shown on the EC declaration of conformity printed in the instructions for assembly Instructions. The wind resistance class achieved after assembly of the awning is heavily dependent on the type and number of fixings used as well as the installation surface involved.

The PergoTex may only be used up to the wind resistance class specified by the company fitting the awning. This may deviate from the wind resistance class stated by the manufacturer.

3.3 Explanation of wind resistance classes

Wind force acc. to the Beaufort scale	Description of wind force	Effect on land
0	Calm	Calm, smoke rises vertically
1	Light air	Barely noticeable, smoke drift indicates wind direction, still wind vanes
2	Light breeze	Leaves rustle, wind felt on face
3	Gentle breeze	Leaves and small twigs constantly moving, light flags extended
4	Moderate breeze	Small tree branches move, loose paper lifted
5	Fresh breeze	Larger twigs and trees in leaf move, wind clearly audible
6	Strong breeze	Larger tree branches moving, telegraph masts whistle in the wind
7	Near gale	Trees sway, resistance felt walking against wind
8	Gale	Large trees moving, shutters opening, twigs breaking off trees, generally impedes progress

3.4 Use in rain

For best results when using the PergoTex and for best rain drainage, the PergoTex should be set at an angle of more than 8°.

3.5 Automatic controls

A PergoTex must never be left unattended when open. The automatic controls may fail under extreme conditions (e.g. power failures, defects, sudden storms). There is a risk that the PergoTex could be damaged.

Our recommendation: if you vacate the area, switch the PergoTex from automatic to manual control and leave it retracted.

3.6 General notes on the fabric

It is perfectly normal for a small amount of condensation to form on the fabric. This does not form grounds for complaint, non-acceptance or price reductions.

4 Specific safety notes



Personal injury

Risk of personal injury due to improper use of the PergoTex.

- ▶ **Please read and observe the specific safety notes contained in this section.**

4.1 Checking and monitoring the PergoTex

For personal safety, it is important that these safety notes are complied with and kept in a safe place.

- The performance of a product depends on how it is assembled and installed.
- Check the awning system for signs of wear or damage.
- On motorised systems, check the electrical leads for damage.
- Do not use units that are in need of repair.
- Monitor the PergoTex when it opens and retracts and keep people clear of the area until the PergoTex has fully opened and retracted.
- The assembly work may only be performed by trained personnel.

Guidelines for systems with automatic controls

- When performing maintenance or installation work on the covered area of the PergoTex, disconnect the awning from the power supply.

4.2 Operation

It must be ensured that no children or people unable to properly assess the risks of improper or incorrect use are able to operate the PergoTex.

Remote controls must be kept out of reach of children.

The setting and operating instructions supplied separately by the manufacturer of the motor, switches and controls must also be observed.

4.3 Disassembly and Disposal

Always secure the awning system before dismantling and disposing of it. A suitably qualified company should be engaged to perform this task.

5 Maintenance and care instructions

5.1 Cleaning and maintenance work in the opening space of the PergoTex

There is a risk of motorised sun protection units being activated unintentionally. Always ensure that the PergoTex is completely switched off (e.g. by disconnecting the fuse) before performing maintenance and cleaning work (e.g. building cleaners).

If awnings are operated by several users, a priority locking device must be activated (controlled interruption of the power supply from outside), making it impossible to open or retract the awning at all.

5.2 Maintenance

The safe and risk-free use of the Pergotex can only be guaranteed if the product is checked and serviced on a regular basis. The following maintenance requirements must be observed.

- Inspect the PergoTex at regular intervals for signs of wear and tear or damage to the awning fabric and frame. Should you detect any damage, contact a specialist retailer or dealer or a suitable service company to carry out the repairs. Do not use units that are in need of repair.
- Inspect the PergoTex at regular intervals for signs of wear and tear or damage to the cables and leads. Should you detect any damage, contact a specialist retailer or dealer or a suitable service company to carry out the repairs.

Do not use units that are in need of repair.

Even a low-maintenance product needs to be cared for. For this reason, please carry out the following maintenance and care tasks as required, once every spring, or whenever the awning has not been in use for a long time. Performing these tasks will extend the operating life of your awning system. Foliage and other foreign bodies as well as heavy dirt must be removed immediately

5.3 Foliage and foreign bodies

Foliage and other foreign bodies as well as heavy dirt

- in the gutter,
- on the fabric, etc.

must be removed immediately.

Rainwater outlet holes

- in the posts

must be kept unblocked at all times to ensure that water can drain off.

5.4 PergoTex care

Our recommendation:

Your PergoTex has been designed for low maintenance. In the unlikely event that it should fail, the service work should be performed by a specialist company.

If lubricants are required during the service work, use greases, sprays or liquids that contain elements of Teflon, PTFE or comparable agents. For best, long-lasting effects, the lubricant must be water- and dirt-repellent. The manufacturer's guidelines must be observed at all times. Do not use lubricants that corrode plastics.

5.5 Cleaning the powder-coated aluminium parts

5.5.1 In saltwater areas



IMPORTANT

Damage to the Product

Particularly in saltwater areas, there is a possibility that salt may disperse or accumulate on the product.

- ▶ **Wash off any salt deposits at regular intervals or as required, but no less than twice a year.**

Recommendation: Call in a specialist company to do the work for you.

This is a good way to protect the aluminium parts and their surface from being corroded by salty water.

5.5.2 In non-saltwater areas

Clean the aluminium parts at least once a year, and even more often if heavily soiled. To clean, use clean water and add a few drops of pH-neutral or very slightly alkaline detergent.

5.6 Cleaning PVC fabrics

We strongly recommend that you use a cleaning agent, preferably liquid, in water solution to clean the PVS-coated fabrics.

The concentration of the solution, the temperature and the pressure that can be exerted on the surface have to be adjusted to the degree of soiling.

If the coated fabric is stored in a dirty condition, this can impair its duration and can favour the formation of moulds and the absorbing of the dirt inside the material.

The cleaning should be done with soft, moist cloths. As an alternative, hand brushes or rotating brushes with soft bristles can be used.

It is absolutely forbidden to use solvents such as: turpentine, nitre solvents, acetate, aromatic compounds, hydrocarbons (petrol or diesel), acids and caustic products, because such products corrode the surface of the fabric impairing the protection from the external influences.

At the end of the washing operations, the PVC-coated product must be rinsed with abundant water in order to remove every trace of detergent. The last rinse has to be carried out with a diluted 2% solution of sodium hypochlorite.

before storing the product, it is necessary to dry the entire surface without overheating the material. After that it can be folded and kept in a dry environment, protected from the sunlight.

6 Rectifying Faults

Only eliminate errors which can be rectified through maintenance and care. This includes, for example, removing foreign bodies.

All other defects or malfunctions should only be repaired by your specialist retailer or partner. Please bear in mind that faults which are not repaired properly will compromise the safety of your awning system.

You should therefore call your specialist retailer immediately if a fault occurs. This person is your local specialist and will gladly provide you with swift, professional advice. To help you troubleshoot, a few errors are listed below.

6.1 Troubleshooting

Error	Cause	Remedy
<ul style="list-style-type: none"> System not running 	<ul style="list-style-type: none"> No power supply Motor incorrectly connected Motor is too hot and has been shut down by the thermo protector 	<ul style="list-style-type: none"> Connect to the mains Connect to the mains (authorised personnel only) Wait approx. 15 to 20 minutes until the motor has cooled down
<ul style="list-style-type: none"> Squeaking 	<ul style="list-style-type: none"> Bearing surfaces not lubricated 	<ul style="list-style-type: none"> Maintenance and care (fitter)

7 Retrofits

Your PergoTex can also be retrofitted with automatic controls, e.g. with sun and rain sensors. For more details, contact your specialist retailer, who will be happy to advise you.

8 Noise Level

When installed, the noise level of the PergoTex has been measured at below 70 dB(A).

9 Other weinor products

Your dream patio any time of year

No matter what you want to use your patio for, weinor has the right product for you – Pergotex, patio roofs, Glasoase®, conservatories.

Your weinor partner is an experienced specialist who will gladly provide you with advice on everything from planning to realising your product. They will help you turn your patio dreams into reality and are there whenever you need help or advice – to give you peace of mind from the very beginning.



- | | |
|---|----------------|
| 1 | Awnings |
| 2 | Patio roofs |
| 3 | Glasoase |
| 4 | Conservatories |

weinor GmbH & Co. KG
Mathias-Brüggen Strasse 110
50829 Cologne (Germany)
www.weinor.de

Hotline: +49(0)221/5 97 09-214
Fax: +49(0)221/5 97 09-898