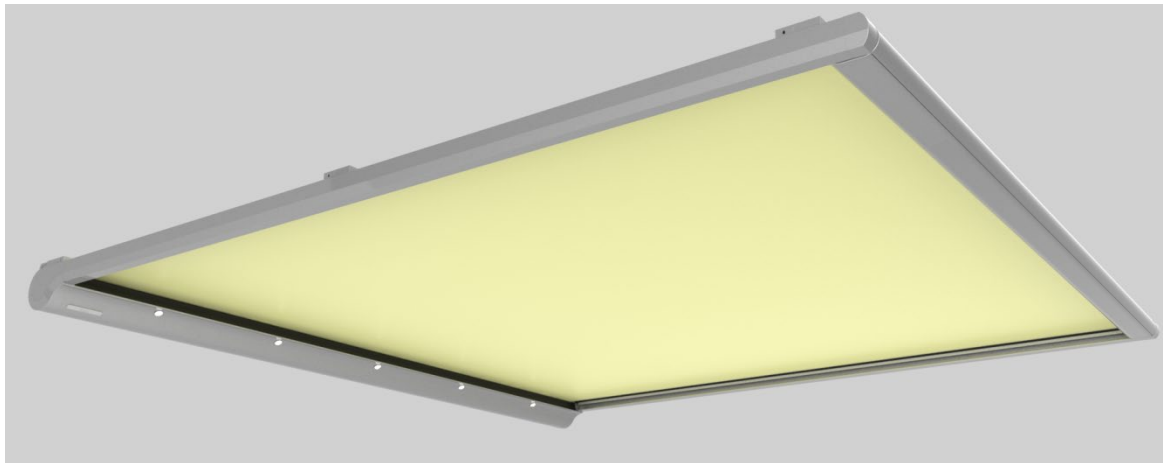


Sottezza II Stretch/ LED Sottezza II OptiStretch/ LED Maintenance Instructions and Directions for Use

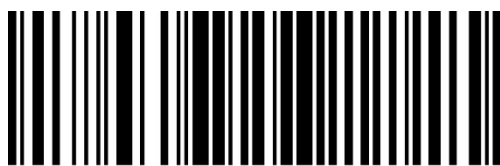
Conservatory awning with electric drive

ENGLISH



Important details for the end consumer.

Please read these instructions and observe their content and warnings before using the equipment for the first time.



118074-0000

List of contents

1	Reading the Maintenance Instructions and Directions for Use	3
1.1	Warnings	3
1.2	Tips and recommendations	3
1.3	Illustrations	3
1.4	Instructions requiring action	3
2	Safety instructions	4
2.1	Fundamental safety instructions	4
2.1.1	Operation	4
2.1.2	Use in winds	4
2.1.3	Explanation of wind resistance classes	5
2.1.4	Use in rain, snow and ice	6
2.1.5	Obstacles	6
2.1.6	Automatic system control	6
2.1.7	Operation in the event of a power failure	6
2.1.8	Checking and monitoring the sun protection system	6
2.2	Note on the generation of noises (creaking) on the system in the event of temperature changes!	7
2.3	General note on the tension rope	7
2.4	Intended use	7
2.5	Improper use	7
3	Product description	8
3.1	Schematic diagram	8
3.2	Functional description	8
4	Cleaning (by the user)	9
4.1	Removing foliage and foreign bodies	9
4.2	Cleaning the powder-coated aluminium parts	9
4.2.1	In saltwater areas	9
4.2.2	In non-saltwater areas	9
5	Maintenance (at least once a year by a suitable specialist retailer)	10
5.1	Reducing squeaking!	10
5.2	Lubricating all movable parts	11
5.3	Spare parts	11
6	Rectifying faults	12
6.1	Troubleshooting (by a suitable specialist retailer)	12
7	Conversions or retrofits	12
8	Disassembly and disposal	12
9	Noise level	12



1 Reading the Maintenance Instructions and Directions for Use

Read the Maintenance Instructions and Directions for Use before using the sun protection system for the first time. For personal safety, it is important that these instructions are complied with. Non-compliance means the manufacturer does not carry any liability.


All instructions and directions for use supplied with the unit must be kept by the customer and passed on to the new owner if the sun protection system is sold on.

1.1 Warnings

The warnings differentiate between personal injury and damage to property. The signal word "Danger" is used for personal injury, and "Caution" for property damage.

 DANGER	Immediate danger to life and limb!
 CAUTION	Immediate danger to the product and environment!

1.2 Tips and recommendations

	Highlights tips and information that make for correct use of the product.
---	---

1.3 Illustrations

Details on item numbers can be found in the text in parentheses, e.g. (1).

1.4 Instructions requiring action

Instructions requiring action are written in bold print. If the instruction requiring action consists of several individual steps, these have been numbered in the order in which they are to be carried out, e.g.:

1.	Cleaning the sun protection system
	1. Clean the aluminium parts. 2. Clean the awning fabric.

2 Safety instructions

2.1 Fundamental safety instructions

DANGER

Personal injury

Risk of personal injury due to improper use of the sun protection system.

▶ **Please read and observe the safety instructions contained in this section.**

CAUTION

Product and property damage

Risk of damage to the product and property due to improper use of the sun protection system.

▶ **Please read and observe the safety instructions contained in this section.**

2.1.1 Operation

It must be assured that no children or people unable to properly assess the risks of improper or incorrect use should be able to operate the sun protection system. Remote controls must be kept out of reach of children.

The setting and operating instructions supplied separately by the manufacturer of the motor, switches and controls must also be observed.

2.1.2 Use in winds

The sun protection system complies with the requirements of the wind resistance class shown on the CE declaration of conformity printed in the instructions for assembly.

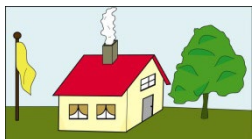
The sun protection system may only be used up to the wind resistance class specified by the company assembling the awning. This may deviate from the wind resistance class stated by the manufacturer.

If a Sottezza II is used under a roof which is open at the front and the sides, it must therefore be retracted immediately in the event of strong winds (above wind strength 5).

2.1.3 Explanation of wind resistance classes

Wind resistance class		0	1	2	3
Beaufort		< 3	4	5	6
Maximum wind speed	in km/h	19,0	28,0	38,0	49,0
	in m/s	5,4	7,9	10,7	13,8
	in mp/h	12,6	18,3	25,3	32,2

Wind resistance class 0



Wind resistance class 0 equates (in accordance with DIN EN 13561) either to a level of performance that is not required or has not been measured, or to a product that does not meet the requirements of Class 1. The sun protection system must not be used in windy conditions.

Wind resistance class 1



The sun protection system may only remain open until winds have reached wind strength 4.

Definition acc. to the Beaufort scale: light breeze, light wind
Wind moves small tree branches and twigs, lifts dust and loose paper

Wind speed 20-27 km/h = 5.5-7.4 m/s

Wind resistance class 2

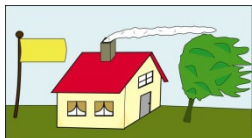


The sun protection system may only remain open until winds have reached wind strength 5.

Definition acc. to the Beaufort scale: fresh breeze, fresh wind
Small trees in leaf begin to sway,
whitecaps form at sea

Wind speed 28-37 km/h = 7.5-10.4 m/s

Wind resistance class 3



The sun protection system may only remain open until winds have reached wind strength 6.

Definition acc. to Beaufort scale: strong breeze
Larger tree branches move, umbrellas are hard to hold,
telegraph lines whistle in the wind

Wind speed 38-48 km/h = 10.5-13.4 m/s

Source: German Met Office (DWD) - Offenbach

2.1.4 Use in rain, snow and ice

The sun protection system should be retracted in the event of rain, storms and snow if the function is impaired due to the location or the panel mounting.

The sun protection system must also not be opened in snowfalls or when there is a risk of frost.

There is a risk that the sun protection system could be damaged.

The automatic controls must be switched off if there is a risk of frost.

2.1.5 Obstacles

The space needed for the sun protection system to open must always be kept clear. There is a risk of people being crushed in this space.

2.1.6 Automatic system control

A sun protection system must never be left unattended when open. The automatic system control may fail under extreme conditions (e.g. power failures, defects, sudden storms). There is a risk that the sun protection system could be damaged or crash down.

Our recommendation: If you vacate the area, switch the sun protection system from automatic to manual control and leave it retracted.

If there is a risk of frost, the awning system must be switched from automatic to manual control to prevent it from moving automatically. The system must not be used in frosty conditions or if there is a risk of frost.

If your Sottezza II is fitted with a sun or wind sensor, the controls will switch to automatic control after a power failure. Awning systems that had previously been set to manual operation will therefore run automatically after a power failure.

2.1.7 Operation in the event of a power failure

A motorised sun protection system cannot retract if there is no power.

The system must not be used in frosty conditions or if there is a risk of frost.

2.1.8 Checking and monitoring the sun protection system


For personal safety, it is important that these safety instructions are complied with and kept in a safe place.

- The performance of a product depends on how it is assembled and installed.
- Check the awning system for signs of wear or damage.
- On motorised systems, check the electrical leads for damage.
- Do not use units that are in need of repair.
- Monitor the sun protection system when it opens and retracts and keep people clear of the area until the system has fully opened or retracted.
- The installation work may only be performed by trained personnel.

Guidelines for systems with automatic controls

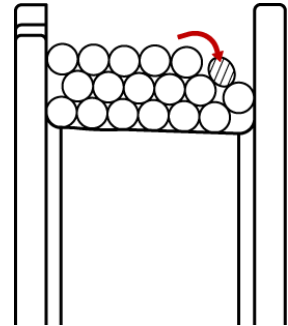
- Disconnect the sun protection system from the power supply before performing maintenance or installation work.

2.2 Note on the generation of noises (creaking) on the system in the event of temperature changes!

	<p>Noises which occur on the system after proper maintenance are unavoidable and are mostly due to the expansion of components due to the effect of heat.</p> <ul style="list-style-type: none">• Have your system serviced regularly by the specialist company! The specialist company checks and maintains the fastening screws and (if present) the moving bearing points to minimise noise generation, especially in the case of temperature influences!
---	--

2.3 General note on the tension rope

The tension rope used on the clamping system begins to wind around a rope drum located inside the cassette as soon as you open the sun protection system. The width of the rope drum is enough to take several wound lengths of tension rope lying side by side. Once there is no more space to the side, the next coil will wind over the one before. The tension rope may then become instable and slip to one side. In this case, you will hear a crack. This will not damage the sun protection system. The more you open the sun protection system, the more the clamping system will tension the fabric. And the more tension there is in the tension rope, the louder the crack that will be heard.



2.4 Intended use

The Sottezza II is designed to open in order to protect exposed areas from undesired sun. Failure to use the product as intended may result in severe danger.

Alterations not envisaged by weinor, such as attaching items or conversions, may only be carried out with the manufacturer's written consent.

Additional loads on the sun protection system caused by hanging objects from it or by anchoring ropes may result in damage or cause the system to fall and are therefore not permissible.

2.5 Improper use

Only use original spare parts on the sun protection system. Only use the sun protection system as a sunscreen. Never affix/hang heavy articles to/from the sun protection system. Never open the sun protection system or allow it to be opened in winds stronger than wind category 2.

3 Product description

3.1 Schematic diagram

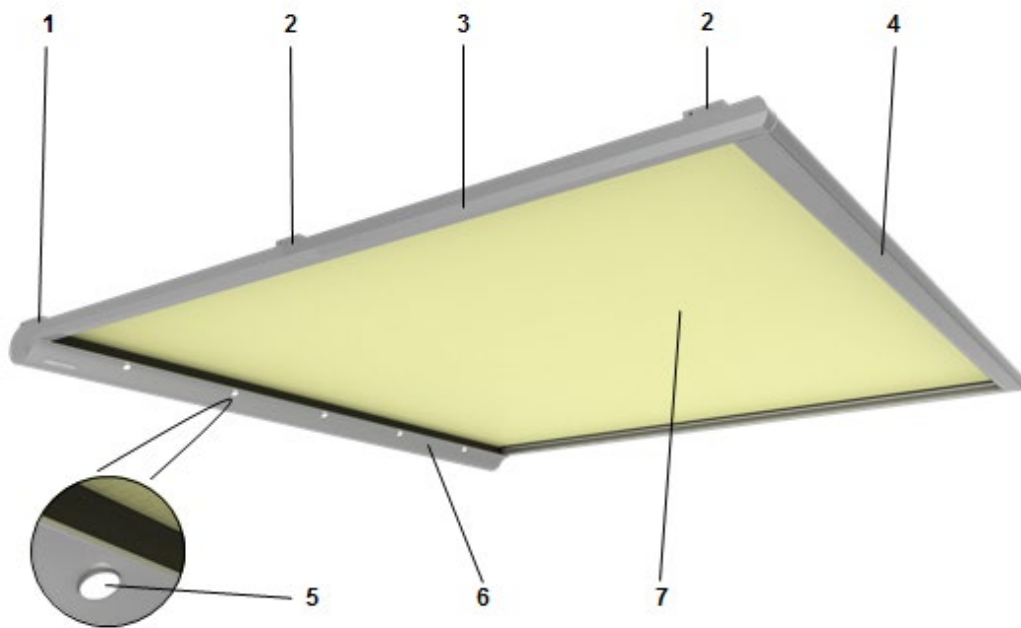


Figure 1: Schematic diagram of the Sottezza II OptiStretch / LED*

1	Headplate bracket	5	LED spotlight (optional)
2	Side channel bracket	6	Cassette
3	Side channel	7	Fabric
4	Projection profile		

*Sottezza II LED contains light sources of energy efficiency class F.

3.2 Functional description

The Sottezza II is a textile sunscreen which has been designed for use under glass roofs. The Sottezza II is not suitable for unprotected exterior areas.

The system is designed in such a way that the fabric is always taut. This also makes it possible to open the system in the case of slight pitches.

The Sottezza II with LED has integrated LED spotlights inside the cassette to create welcoming outdoor lighting.

The Sottezza II can be used with roof pitches of 5° – 45°, whereby the cassette is at the top and the system extends downwards. For larger cross sections and dimensions, the Sottezza Stretch will be equipped with adjustable distance ropes.

Only high-quality, rust-free materials are used in the Sottezza II. The profiles are made of extruded aluminium; the headplate / side channel brackets and the cast parts are made of aluminium. All connecting parts, such as screws, are made of stainless steel.

4 Cleaning (by the user)

DANGER

Personal injury

There is a risk of motorised sun protection systems being activated unintentionally.

- ▶ **Disconnect the sun protection systems from the power supply (e.g. by disconnecting the fuse) before doing any cleaning work.**
- ▶ **If sun protection systems are operated by several users, a priority locking device must be activated (controlled interruption of the power supply from outside), making it impossible to open or retract the system at all.**

4.1 Removing foliage and foreign bodies

Foliage and other foreign bodies lying on the fabric, in the side channel, on the carriages, in the end caps and in the cassette must be removed immediately. There is a risk that the sun protection system could be damaged or crash down.

4.2 Cleaning the powder-coated aluminium parts

4.2.1 In saltwater areas

CAUTION

Damage to the product

Particularly in saltwater areas, there is a possibility that salt may disperse or accumulate on the product.

- ▶ **Wash off any salt deposits at regular intervals or as required, but no less than twice a year.**

Recommendation: Call in a specialist company to do the work for you.

This is a good way to protect the aluminium parts and their surface from being corroded by salty water.

4.2.2 In non-saltwater areas

Clean the aluminium parts at least once a year, and even more often if heavily soiled. To clean, use clean water and add a few drops of pH-neutral or very slightly alkaline detergent.

5 Maintenance (at least once a year by a suitable specialist retailer)

DANGER

Personal injury

The safe and risk-free use of the sun protection system can only be guaranteed if the system is checked and maintenance is performed on it on a regular basis.

- ▶ **Observe the maintenance requirements and maintenance intervals.**
- ▶ **Inspect the sun protection system at regular intervals for signs of wear and tear or damage to the awning material and frame.**
- ▶ **Regularly visually inspect the rope tension and readjust if necessary.**
- ▶ **Check the sun protection system at regular intervals for signs of damage to the leads.**
- ▶ **Do not use systems in need of repair. Ensure people keep clear of any dangerous areas.**
- ▶ **Should you detect any damage, contact a specialist retailer or a suitable service company to carry out the repairs.**

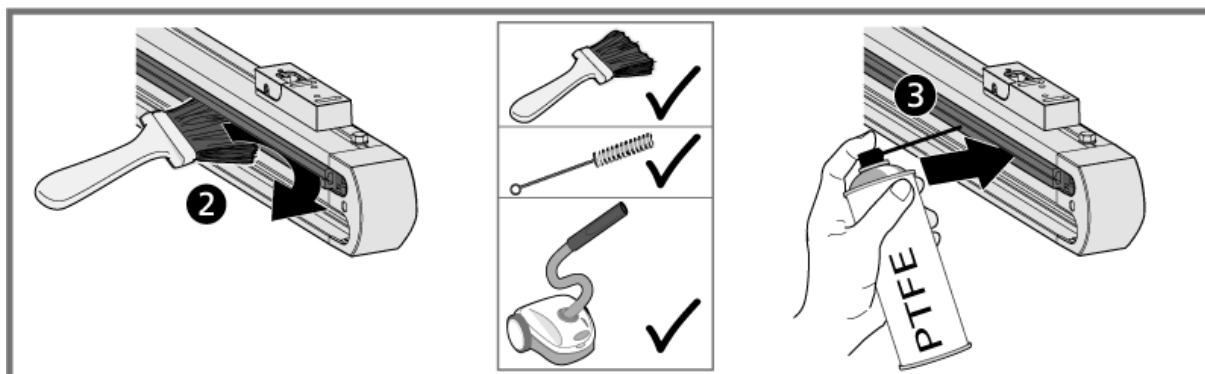
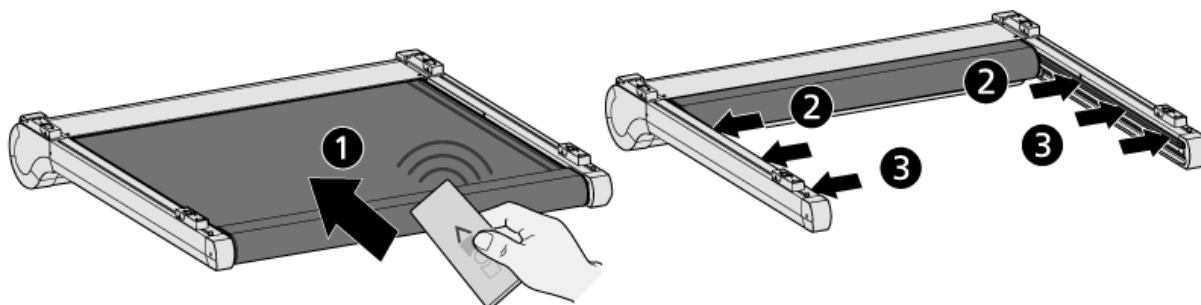


Carry out the following maintenance and care tasks as required, once every spring, or whenever the awning has not been in use for a long time. Performing these tasks will extend the operating life of your awning system.

Our recommendation: Call in a specialist company to carry out the necessary maintenance and care work.

5.1 Reducing squeaking!

Depending on the environmental pollution and weather conditions, debris and friction on the fabric guide rail (ZIP plastic rail) can produce squeaking noises! Guide the system in, clean the ZIP plastic rail and moisten the inside of it with “Korasilon Marine” colourless and odourless silicone spray to reduce squeaking!



5.2 Lubricating all movable parts

CAUTION

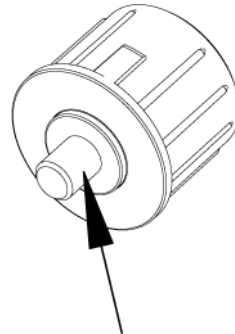
Damage to the product

Use greases, sprays or liquids that contain elements of Teflon, PTFE or comparable agents. For best results, use a water-repellent and soil-repellent lubricant.

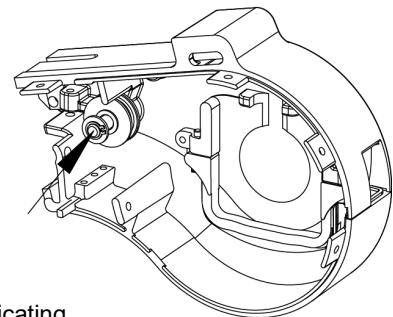
- ▶ **The lubricant manufacturers' guidelines must be observed.**
- ▶ **Do not use lubricants that corrode plastics.**

Lubricating points (X)

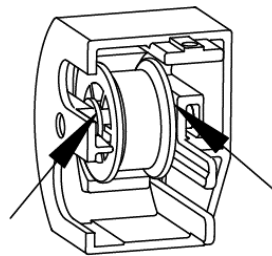
- Bolts for the roller tube insert
- Bolts for the pulley block in the headplate
- Bolts for the pulley block in the end cap
- Bolts for the pulley block and the idle pulley in the carriage
- Bolts for the rope block (on request)
- Bolts for the pulley block in the preloading tail



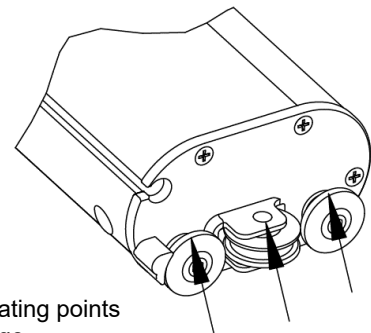
Lubricating point
Roller tube insert



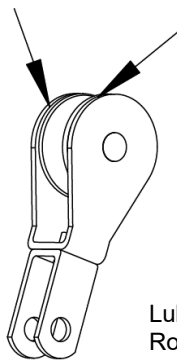
Lubricating point
Headplate



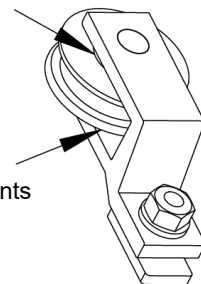
Lubricating points
End cap



Lubricating points
Carriage



Lubricating points
Rope block



Lubricating points
Preloading tail

5.3 Spare parts

Only use spare parts approved by weinor.

6 Rectifying faults

Our recommendation: Faults should only be rectified by your specialist retailer. Please bear in mind that faults which are not repaired properly will compromise the safety of your awning system.

You should therefore call your specialist retailer immediately if a fault occurs. This person is your local specialist and will gladly provide you with swift, professional advice. To help you troubleshoot, a few faults are listed below.

6.1 Troubleshooting (by a suitable specialist retailer)

Error	Cause	Remedy
<ul style="list-style-type: none">System not running	<ul style="list-style-type: none">No powerDrive incorrectly connectedMotor is too hot and has been shut down by the thermo protector	<ul style="list-style-type: none">Connect to the mainsConnect to the mains (authorised personnel only)Wait approx. 15 to 20 minutes until the drive has cooled down
<ul style="list-style-type: none">Squeaking	<ul style="list-style-type: none">Bearing surfaces not lubricated	<ul style="list-style-type: none">Maintenance and care (fitter)

7 Conversions or retrofits

Your sun protection system can only be converted or retrofitted to a limited extent.

The following conversions are possible:

- Replacing the fabric
- Distance rope

Your sun protection system can also be retrofitted with automatic control units, e.g. with sun and rain sensors. For more details, contact your specialist retailer, who will be happy to advise you.

8 Disassembly and disposal

Although this product does not contain any materials which pose a risk or danger to other people or the environment, the parts from the sun protection system should nevertheless be disposed of properly. When disassembling and disposing of the sun protection system, fully slacken or secure the tensioned parts to prevent them from opening or extending automatically. A suitably qualified company should be engaged to perform this task.

9 Noise level

When installed, the sun protection system's noise level has been measured at below 70 dB(A).

weinor GmbH & Co. KG
Mathias-Brüggen-Straße 110
50829 Cologne (Germany)
weinor.com

weinor prints climate neutrally.
More information at: weinor.com/climate_neutral_print